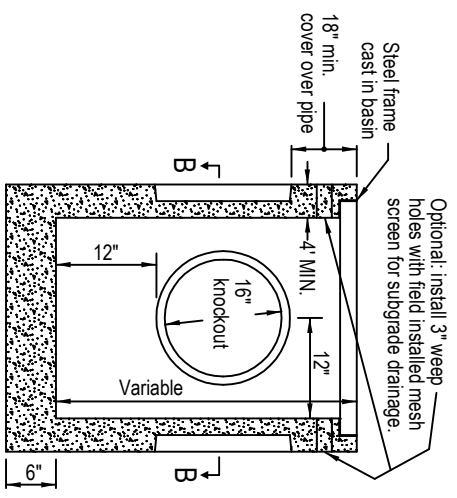
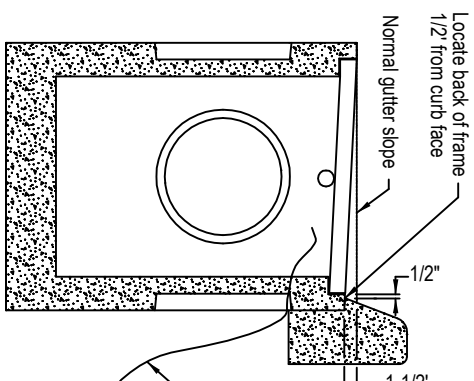


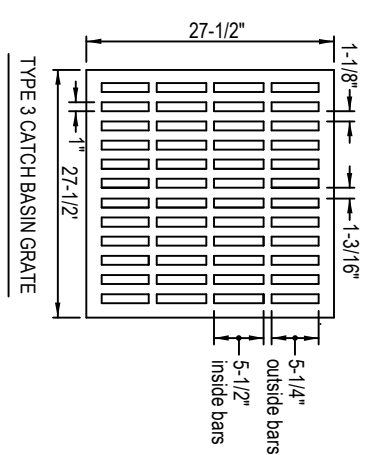
SECTION B-B



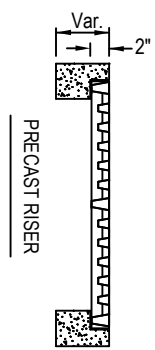
SECTION A-A



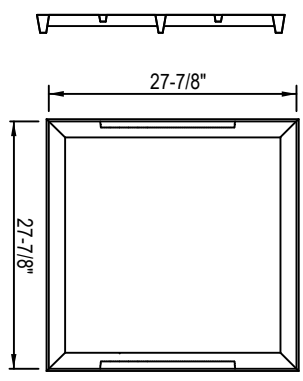
SECTION C-C



TYPE 3 CATCH BASIN GRATE



PRECAST RISER



TYPE 3 FRAME - STEEL

OPTIONAL CAST IRON FRAME FOR A WORK/TAR-ON TYPE 3 CATCH BASIN



Notes:

1. Catch basin & grate shall meet M18 loading
2. Concrete strength shall be Commercial Grade Concrete.
3. Precast walls shall be a minimum of 4" thick.
4. For use by local agencies as directed
5. Depress gutter flowline only.

The selection and use of this Standard Drawing, while designed in accordance with generally accepted engineering principles and practices, is the sole responsibility of the user and should not be used without consulting a Registered Professional Engineer.

NOTE: All material and workmanship shall be in accordance with the current Oregon Standard Specifications	
<b>OREGON STANDARD DRAWINGS</b>	
<b>CITY OF HOOD RIVER</b>	
<b>STANDARD CATCH BASIN</b>	
<b>FRAME AND GRATE</b>	
2002	
DATE	REVISIONS
12-02	City of Hood River Modifications