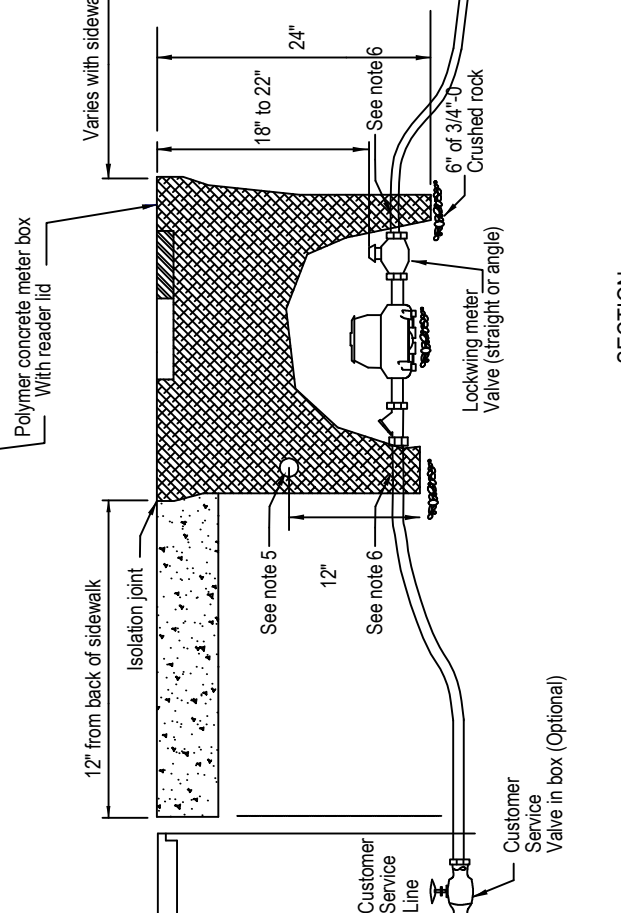
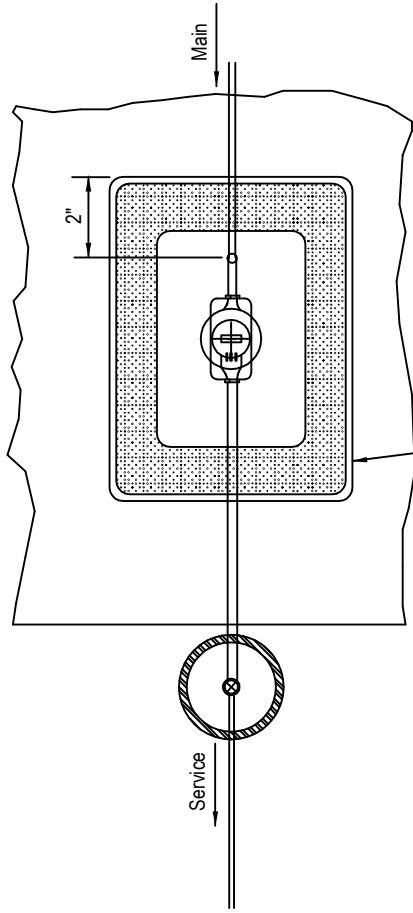


PLAN



SECTION

Notes:

1. Meter box to be 12"X20"X24" manufactured by Armorcast Products Company or approved equal.
2. Meter box lid and cover must provide for drop in read cavity.
3. Meter boxes set in driveways must have traffic rated lids & covers.
4. All fittings to be copper tube size compression Mueller 110 or approved equal.
5. When meter boxes are set side by side, a hole must be drilled into each side and 1/2" PVC conduit ran to connect all boxes.
6. If not provided, a 3"x2" slot must be cut in each end of the meter box to avoid the box settling onto the service pipe.
7. All service lines are to have individual 14 ga. color coded locate wires extended to each meter box and connected to the water main locate wire.

NOTE: All material and workmanship shall be in accordance with the current Oregon Standard Specifications

**OREGON STANDARD DRAWINGS**  
**CITY OF HOOD RIVER**  
**WATER SERVICE CONNECTION**

DATE	2002
REVISIONS	
DESCRIPTION	City of Hood River Modifications

The selection and use of this Standard Drawing, while designed in accordance with generally accepted engineering principles and practices, is the sole responsibility of the user and should not be used without consulting a Registered Professional Engineer.